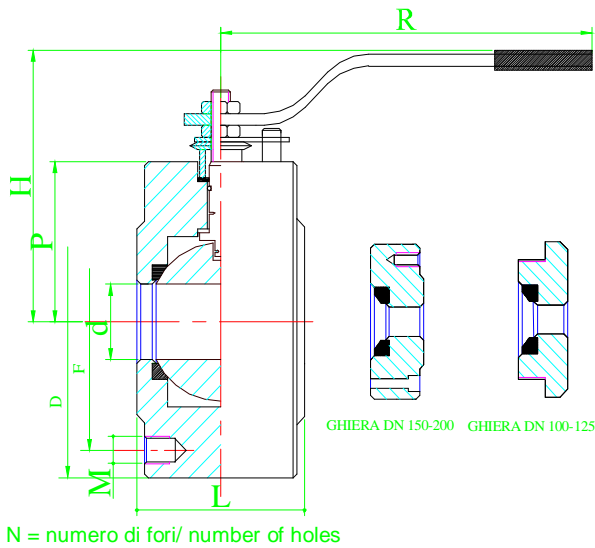


# Wafer Corpo Piatto

## Wafer Flat Body



### Valvola a Sfera

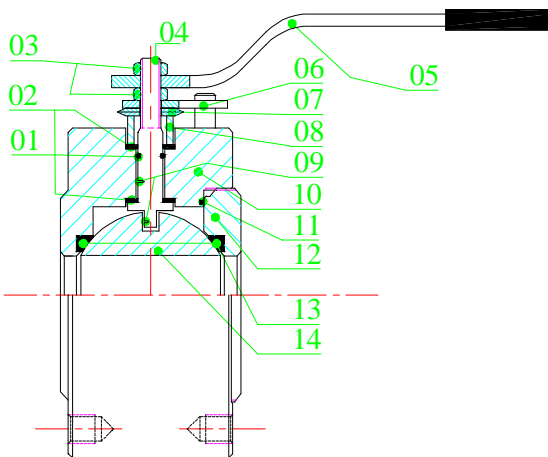
Tipo: Wafer 2 Vie  
 Corpo: ASTM 105 - ASTM A350 Gr LF2  
 Passaggio: Totale  
 Sfera: CF8 o CF8M  
 Misure: da DN 15 a DN 200  
 Pressione: PN 6-40 o 150/300#  
 Guarnizione e sedi: P.T.F.E. vergine  
 Temperatura di esercizio: 0°C +150°C (ASTM A 105)  
 -40°C +60°C (ASTM A350 Gr LF2)  
 Finitura esterna: zincatura tropicalizzata  
 Finitura superficie di tenuta: in accordo alla EN 1092-1

### Ball Valve

Type: Wafer 2-way  
 Body: ASTM A105 - ASTM A350 Gr LF2  
 Bore: Full  
 Ball: CF8 or CF8M  
 Size: from DN 15 up to DN 200  
 Pressure class: PN 6-40 or 150/300#  
 Seals and seats: P.T.F.E. virgin  
 Operating temperature: 0°C +150°C (ASTM A 105)  
 -40°C +60°C (ASTM A350 Gr LF2)  
 Surface finish: tropicalized galvanization  
 Surface roughness: according to EN 1092-1

Dimensioni / Dimensions PN40 (mm) (N, ØM, ØD & ØF secondo / according DIN 2501 / ANSI B16.5)

DN	15	20	25	32	40	50	65	80	100	125	150	200 per ASTM A 105
	½"	¾"	1"	1¼"	1½"	2"	2½"	3"	4"	5"	6"	8"
Ød	14	20	24	32	38	48	62	75	97	118	144	194
N	4	4	4	4	4	4	8	8	8	8	8	12
ØM	M12	M12	M12	M16	M16	M16	M16	M16	M20	M24	M24	M27
ØD	90	100	110	130	140	150	175	190	220	250	300	375
ØF	65	75	85	100	110	125	145	160	190	220	250	320
L	36	38	43	54	64	85	103	120	155	182	210	292
P	33	38	42	49,5	53	66	81	89	103,5	114	140,5	251
H	100	105	100	105	110	128	200	215	220	230	250	305
R	148	148	174	274	274	286	386	386	515	515	670	930
Kg	1,8	2	3	5	6,5	10	16	22,5	31,5	48	67	155



Nr.	Parti	Parts	Mat.
01	O-ring	O-ring	NBR
02	Guarnizione Stelo	Seal Rings	P.T.F.E.
03	Dado	Nut	S6 Zn
04	Stelo	Stem	AISI 420
05	Leva	Handle	A37 Zn
06	Arresto	Stop	A37 Zn
07	Molle a Tazza	Disc Spring	50CrV4
08	Premibussola	Pressing Bush	A105 Zn
09	Dispositivo Antistatico	Antistatic Device	AISI 304
10	Corpo	Body	A105
11	Guarnizione Corpo	Gasket	P.T.F.E.
12	Ghiera DN 15 - 80	Bonnet	A105
13	Sedi	Seat Rings	P.T.F.E.
14	Sfera	Ball	AISI 304

CE mark according to 97/23/CE (PED)



mark according to 94/9/CE (ATEX)

Antistatic device according to BS5146

Fire safe design according to BS6755

**SAMTECH**  
Gas Systems

WWW.SAMTECHGAS.COM

Tel. +39 049 9903931 Fax +39 049 9903928